

Intel® Xeon® Processor Based 5-Slot 3U VPX™ System

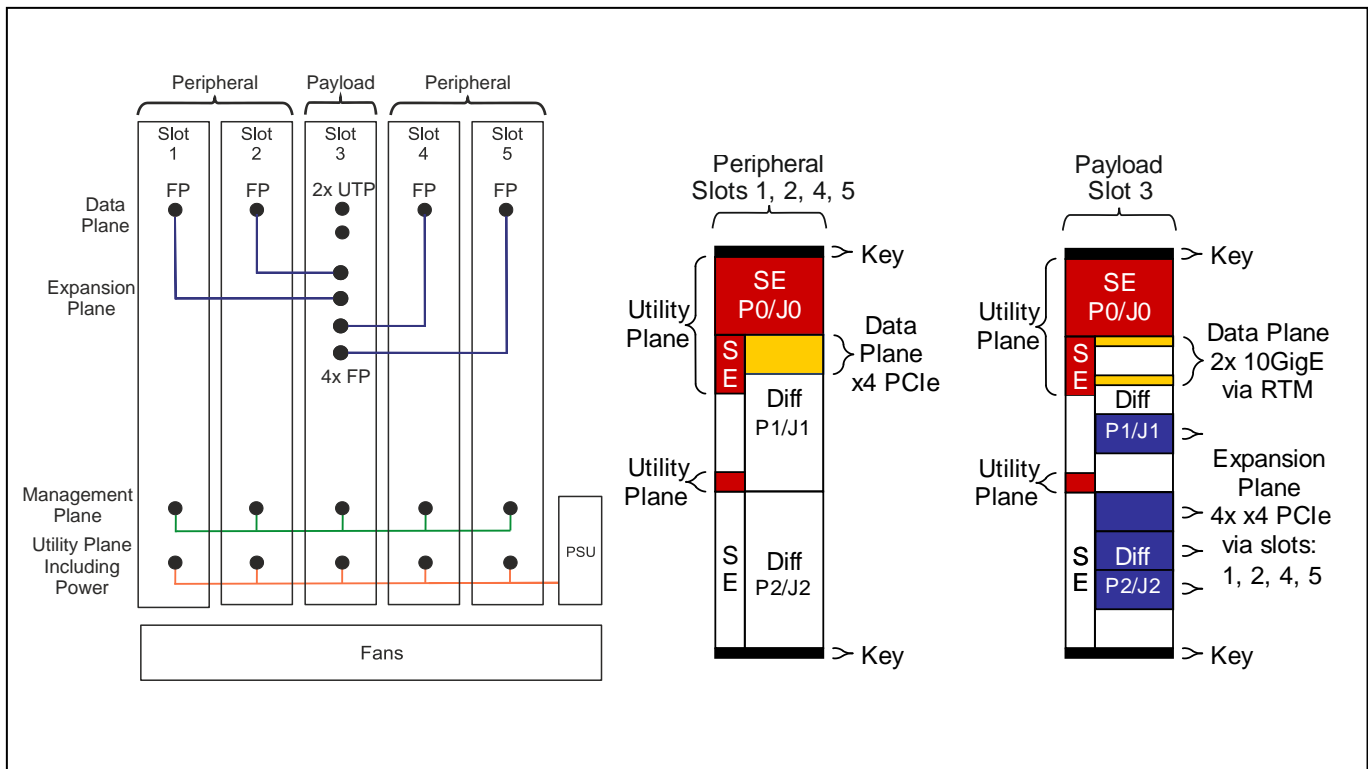
Key Features

SY TR2/525 is a ready-to-use solution for customers starting VPX™ projects based on Concurrent Technologies' Intel® Xeon® processor D-1500 based TR C4x/msd or TR G4x/msd boards.

- Supplied with built-in AC power supply, backplane and cooling fans for ease of use
- Includes a VPX processor board based on the Intel® Xeon® processor D-1500 family
- Supports Gen 3 PCI Express® x4 connections to four free end-point slots without the use of a VPX switch board
- Rear Transition Module (RTM) provides 10Gigabit Ethernet connections



Option Example: Standard Development System
(with TR G4C/543 processor board and RTM)



3U VPX Development System

- 3U VPX™ Development System:
 - 5 vertically mounted 3U VPX slots
 - pre-installed Intel® Xeon® processor based board
 - cooling air intake at the bottom of the system
 - air exhaust at top of the system
- VPX backplane topology is equivalent to:
 - 1 x payload slot (SLT3-PAY-2U4F)
 - 4 x peripheral slots (SLT3-PER-1F)
 - Fat Pipe data plane connection between system controller slot (slot 3) and each peripheral slot
- pre-installed VPX processor board includes:
 - on-board SATA Flash Module for application software
 - software support packages
 - dedicated Rear Transition Module (AD TR1/511)
- optional accessories:
 - VPX XMC carrier board (TR XMC/511)
 - conduction-cooled board card guides
- contact your local Concurrent Technologies sales office for further details on other board options

PCI Express (Gen 3) System

- Gen 3 PCI Express data plane (root complex only) with a choice of pre-installed processor board:
 - 1 x TR C48/582 board (with System on Chip based on an 8-core Intel® Xeon® processor D-1500, 32G DRAM)
 - 1 x TR G4C/543 board (with System on Chip based on a 12-core Intel® Xeon® processor D-1500, 64G DRAM)

Front Panel I/O

- front panel I/O supports:
 - 1 x 10/100/1000 Mbps Ethernet port via an RJ45 connector
 - 1 x USB 3.0 and 1 x USB 2.0 ports via a USB Type-A connector
 - up to 3 x RS232 (Tx/Rx) ports or 1 x RS232 full modem port via a supplied connector cable, (port configuration is user selectable)
 - 1 x VGA graphics interface supporting up to 1920 x 1080 @ 60Hz via a supplied connector cable

Rear Panel I/O

- rear panel I/O is provided using a supplied Rear Transition Module:
 - see factory fitted accessory section (AD TR1/511)

Software Support

- supports Linux®, Windows® and VxWorks®:
 - system supplied with Board Support Package
 - operating system not supplied
- VITA 46.11 compatible Tier 1 Chassis Manager included in firmware on processor board

Power Supply

- integrated 300W modular power supply:
 - +12V output (18A max)
 - -12V output (3A max)
 - +5V output (35A max, 0A min.)
 - +3.3V output (28A max, 0A min.)
 - rated power 300 Watt
 - AC 90-264V, 47Hz to 63Hz input

Environmental Specification

- operating temperatures:
 - +5°C to +40°C (operating)
 - -25°C to +65°C (non-operating)
- relative humidity, non-condensing:
 - 10% to 90% (operating)
 - 5% to 90% (non-operating)

Mechanical Specification

- chassis weight including processor board and rear transition module is less than 16.5lbs (7.5kg)
- 5HP (1.0-inch) backplane slot pitch supports:
 - 0.8-inch and 1.0-inch
 - IEEE 1101.10 as per VITA 46.0
- chassis dimensions:
 - total chassis height is 4U
 - width 8.4-inch (214mm) x depth 11.5-inch (292mm)

Safety

- PCBs (PWB) manufactured with flammability rating of UL94V-0

Factory Fitted Accessory

AD TR1/511 Rear Transition Module

- Rear Transition Module (RTM) compatible with the pre-installed processor board
- RTM front panel connectors:
 - 2 x 10 Gigabit Ethernet (LC optical interface)
 - 2 x USB 2.0 Type A
- RTM on-board connectors:
 - 2 x SATA600
- RTM on-board headers:
 - 4 x GPIO
 - 1 x RS232

Optional Accessories

TR XMC/511 VPX XMC Carrier

- optional XMC carrier board:
 - x4 PCIe interface (up to Gen 3)
 - using data plane supported in any payload slot
- XMC site supports:
 - x4 PCIe interface (VITA 42.3)
 - +5V VPWR or +12V VPWR
- front panel I/O aperture
- rear I/O via XMC (Pn6) connector:
 - rear I/O mapping (VITA 46.9)
 - optional Rear Transition Module available

Conduction-cooled Card Guides

- the design of the SY TR2/525 chassis allows for the factory fitted card guides to be changed to conduction-cooled card guides:
 - enables conduction-cooled boards (VITA 48.2) to be fitted into any peripheral slot
 - user configurable
 - supplied processor board is factory fitted as an air-cooled variant only